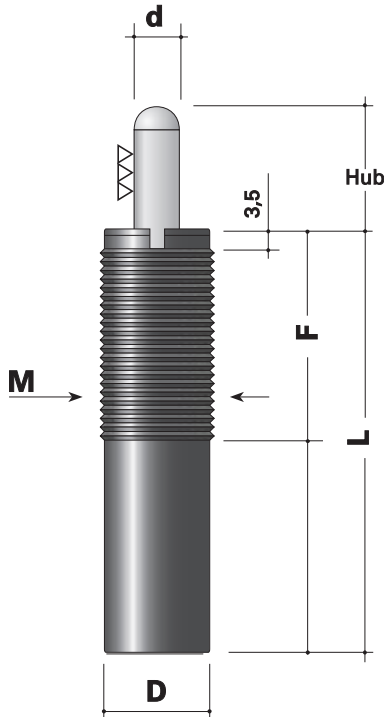


Cushioned gas thrust pieces SZ 8150.1.

STEINEL
NORMALIEN



Application:

Cushioned thrust pieces are mainly used in the production of tools, jigs and machines as pressure pins, for holding parts down or ejecting parts, or for absorbing vibration.

Special features:

- Strong forces in a small space
- Easy to install
- No spring breakage

Installation note:

Screwing the cushioned thrust pieces in and out should only be done using the correct size of special key SZ 8160.

The lock nut SZ 8055 can be used to fix and lock it. See the respective page for the table.

The elements are delivered with a filling pressure of 150 bar. A low initial force can be achieved by discharging gas.

Order example: Cushioned gas thrust piece




SZ 8150

with a thread M=M 16 and a stroke of 40 mm

Add: **16 x 040**

Order number **SZ 8150.1.16 x 040**

Add
size to order number

Gas spring										Order no. SZ 8150.1. <input type="text"/> x <input type="text"/>
M	Hub	L	F	D	d					
mm	mm	mm	mm	mm	mm	bar	daN	daN		
M 16 x 1,5	10	70	40	14	6	150	40	65	016 x 010	
	20	80							016 x 020	
	30	90							016 x 030	
	40	100							016 x 040	
	50	110							016 x 050	
	60	120							016 x 060	
	70	130							016 x 070	
	80	140							016 x 080	
	100	160							016 x 100	
	M 24 x 1,5	10							70	45
20		80	024 x 020							
30		90	024 x 030							
40		100	024 x 040							
50		110	024 x 050							
60		120	024 x 060							
70		130	024 x 070							
80		140	024 x 080							
100		160	024 x 100							