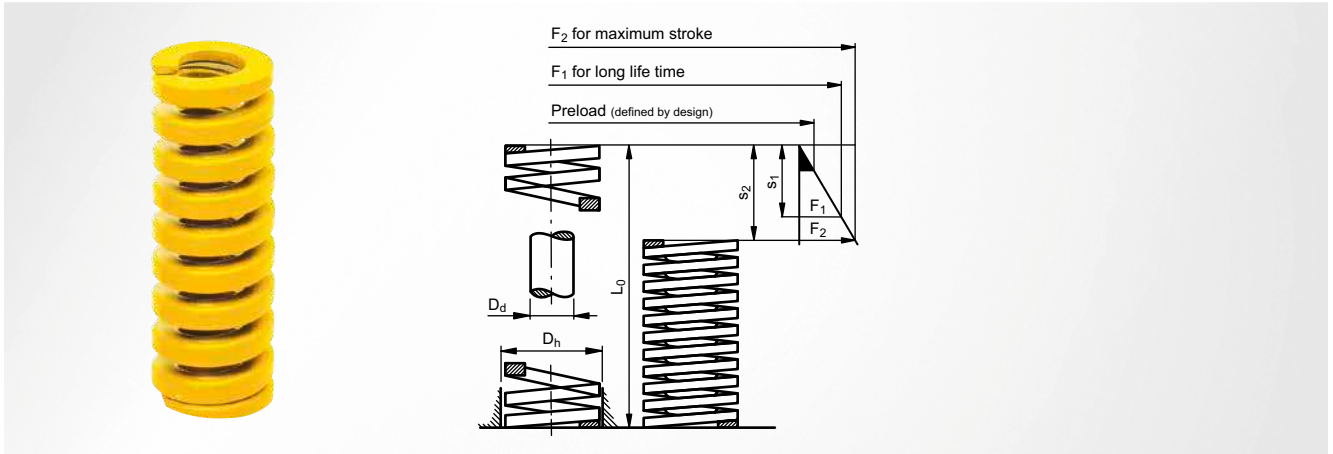


SZ8040 System spring

very heavy load, identification colour yellow



ISO 10243

Material

Profiled valve spring steel wire (52SiCrNi5)

Spring type

Helical compression spring

Wire cross-section

rectangular

Note

Spring is set, closed and rectangular ground

Sleeve Ø D_h^{H15}	Pin Ø D_d^{h15}	Wire	L_0	Spring rate N/mm $c_{\pm 10\%}$	long life time		max. stroke		Item number
					$s_{17\%}$	F_1 N	$s_{25\%}$	F_2 N	
10.0	5.0	1.9 x 1.5	25	36.8	4.3	156	6.2	228	SZ8040 10 x 025
			32	27.9	5.4	152	8.0	223	SZ8040 10 x 032
			38	23.7	6.5	153	9.5	225	SZ8040 10 x 038
			44	19.2	7.5	144	11.0	211	SZ8040 10 x 044
			51	16.5	8.7	143	12.7	210	SZ8040 10 x 051
			64	13.2	10.9	144	16.0	211	SZ8040 10 x 064
			76	10.9	12.9	141	19.0	207	SZ8040 10 x 076
			305	2.6	51.9	135	76.3	198	SZ8040 10 x 305
			12.5	6.3	2.3 x 2.2	25	58.5	4.3	249
32	43.9	5.4				239	8.0	351	SZ8040 13 x 032
38	36.0	6.5				233	9.5	342	SZ8040 13 x 038
44	30.3	7.5				227	11.0	333	SZ8040 13 x 044
51	26.2	8.7				227	12.7	333	SZ8040 13 x 051
64	21.2	10.9				231	16.0	339	SZ8040 13 x 064
76	17.1	12.9				221	19.0	325	SZ8040 13 x 076
89	14.5	15.1				219	22.2	322	SZ8040 13 x 089
102	12.5	17.3				217	25.5	319	SZ8040 13 x 102
305	4.3	51.9				223	76.3	328	SZ8040 13 x 305
16.0	8.0	3.2 x 2.7	25	118.0	4.3	502	6.2	732	SZ8040 16 x 025
			32	89.0	5.4	484	8.0	712	SZ8040 16 x 032
			38	72.1	6.5	466	9.5	685	SZ8040 16 x 038
			44	60.9	7.5	456	11.0	670	SZ8040 16 x 044
			51	52.3	8.7	453	12.7	664	SZ8040 16 x 051
			64	41.2	10.9	448	16.0	659	SZ8040 16 x 064
			76	34.1	12.9	441	19.0	648	SZ8040 16 x 076
			89	29.5	15.1	446	22.2	655	SZ8040 16 x 089
			102	25.6	17.3	444	25.5	653	SZ8040 16 x 102
			115	22.8	19.6	446	28.8	656	SZ8040 16 x 115
20.0	10.0	4.1 x 3.7	25	293.0	4.3	1245	6.2	1817	SZ8040 20 x 025
			32	224.0	5.4	1219	8.0	1792	SZ8040 20 x 032
			38	177.0	6.5	1143	9.5	1682	SZ8040 20 x 038
			44	149.0	7.5	1115	11.0	1639	SZ8040 20 x 044
			51	128.0	8.7	1110	12.7	1626	SZ8040 20 x 051

SZ8040 System spring



very heavy load, identification colour yellow

Sleeve Ø D _h ^{H15}	Pin Ø D _d ^{h15}	Wire	L ₀	Spring rate N/mm c ±10 %	long life time		max. stroke		Item number
					s ₁ ^{17 %}	F ₁ N	s ₂ ^{25 %}	F ₂ N	
20.0	10.0	4.1 x 3.7	64	99.0	10.9	1077	16.0	1584	SZ8040 20 x 064
			76	81.7	12.9	1056	19.0	1552	SZ8040 20 x 076
			89	69.5	15.1	1052	22.2	1543	SZ8040 20 x 089
			102	60.6	17.3	1051	25.5	1545	SZ8040 20 x 102
			115	53.0	19.6	1036	28.7	1521	SZ8040 20 x 115
			127	47.5	21.6	1026	31.7	1506	SZ8040 20 x 127
			139	43.0	23.6	1016	34.7	1492	SZ8040 20 x 139
			152	39.0	25.8	1008	38.0	1482	SZ8040 20 x 152
			305	20.0	51.9	1037	76.3	1526	SZ8040 20 x 305
			25.0	12.5	5.6 x 4.6	25	488.0	4.3	2098
32	374.4	5.4				2037	8.0	2992	SZ8040 25 x 032
38	300.0	6.5				1938	9.5	2850	SZ8040 25 x 038
44	244.0	7.5				1825	11.0	2684	SZ8040 25 x 044
51	207.5	8.7				1799	12.7	2642	SZ8040 25 x 051
64	161.0	10.9				1752	16.0	2576	SZ8040 25 x 064
76	130.8	12.9				1690	19.0	2489	SZ8040 25 x 076
89	110.5	15.1				1672	22.2	2464	SZ8040 25 x 089
102	96.3	17.3				1670	25.5	2456	SZ8040 25 x 102
115	85.7	19.6				1675	28.7	2460	SZ8040 25 x 115
127	76.3	21.6				1647	31.7	2419	SZ8040 25 x 127
139	66.0	23.6				1560	34.7	2290	SZ8040 25 x 139
152	63.5	25.8				1641	38.0	2413	SZ8040 25 x 152
178	53.9	30.3				1631	44.5	2399	SZ8040 25 x 178
203	47.0	34.5				1622	50.7	2383	SZ8040 25 x 203
305	30.9	51.9				1602	76.3	2358	SZ8040 25 x 305
32.0	16.0	7.2 x 5.6				38	480.0	6.5	3101
			44	390.0	7.5	2917	11.0	4290	SZ8040 32 x 044
			51	336.0	8.7	2913	12.7	4267	SZ8040 32 x 051
			64	269.2	10.9	2929	16.0	4304	SZ8040 32 x 064
			76	218.5	12.9	2823	19.0	4161	SZ8040 32 x 076
			89	180.3	15.1	2728	22.2	3996	SZ8040 32 x 089
			102	155.0	17.3	2688	25.5	3953	SZ8040 32 x 102
			115	140.0	19.6	2737	28.7	4018	SZ8040 32 x 115
			127	124.0	21.6	2677	31.7	3931	SZ8040 32 x 127
			139	112.0	23.6	2647	34.7	3886	SZ8040 32 x 139
			152	102.0	25.8	2636	38.0	3876	SZ8040 32 x 152
			178	88.2	30.3	2669	44.5	3925	SZ8040 32 x 178
			203	76.0	34.5	2623	50.7	3853	SZ8040 32 x 203
			254	60.8	43.2	2625	63.5	3891	SZ8040 32 x 254
			305	49.0	51.9	2541	76.3	3739	SZ8040 32 x 305
40.0	20.0	8.7 x 7.3	51	628.0	8.7	5445	12.7	7976	SZ8040 40 x 051
			64	487.0	10.9	5299	16.0	7792	SZ8040 40 x 064
			76	379.0	12.9	4897	19.0	7201	SZ8040 40 x 076
			89	321.0	15.1	4857	22.2	7126	SZ8040 40 x 089
			102	281.0	17.3	4873	25.5	7166	SZ8040 40 x 102
			115	245.0	19.6	4790	28.7	7032	SZ8040 40 x 115
			127	221.0	21.6	4771	31.7	7006	SZ8040 40 x 127
			139	185.0	23.6	4372	34.7	6420	SZ8040 40 x 139
			152	168.0	25.8	4341	38.0	6384	SZ8040 40 x 152
			178	150.0	30.3	4539	44.5	6675	SZ8040 40 x 178
			203	132.0	34.5	4555	50.7	6692	SZ8040 40 x 203
			254	107.0	43.2	4620	63.5	6848	SZ8040 40 x 254
			305	87.8	51.9	4552	76.6	6725	SZ8040 40 x 305
			50.0	25.0	11.4 x 9.1	64	709.0	10.9	7714
76	572.0	12.9				7390	19.0	10868	SZ8040 50 x 076
89	475.0	15.1				7187	22.3	10569	SZ8040 50 x 089
102	405.0	17.3				7023	25.5	10328	SZ8040 50 x 102
115	352.0	19.6				6882	28.7	10102	SZ8040 50 x 115
127	316.0	21.6				6822	31.7	10017	SZ8040 50 x 127

SZ8040 System spring

very heavy load, identification colour yellow

Sleeve Ø D _h ^{H15}	Pin Ø D _d ^{h15}	Wire	L ₀	Spring rate N/mm c ±10 %	long life time		max. stroke		Item number
					s ₁ ^{17 %}	F ₁ N	s ₂ ^{25 %}	F ₂ N	
50.0	25.0	11.4 x 9.1	139	289.0	23.6	6829	34.7	10028	SZ8040 50 x 139
			152	255.0	25.8	6589	38.0	9690	SZ8040 50 x 152
			178	215.0	30.3	6506	44.5	9568	SZ8040 50 x 178
			203	187.0	34.5	6453	50.7	9481	SZ8040 50 x 203
			254	153.0	43.2	6607	63.5	9792	SZ8040 50 x 254
			305	127.0	51.9	6585	76.3	9690	SZ8040 50 x 305
63.0	38.0	11.8 x 13.4	76	842.0	12.9	10879	19.0	15998	SZ8040 63 x 076
			89	726.0	15.1	10984	22.3	16154	SZ8040 63 x 089
			102	656.0	17.3	11375	25.5	16728	SZ8040 63 x 102
			115	534.0	19.6	10440	28.8	15353	SZ8040 63 x 115
			127	480.0	21.6	10363	31.8	15240	SZ8040 63 x 127
			152	396.0	25.8	10233	38.0	15048	SZ8040 63 x 152
			178	335.0	30.3	10137	44.5	14908	SZ8040 63 x 178
			203	297.0	34.5	10249	50.8	15073	SZ8040 63 x 203
			254	235.0	43.2	10147	63.5	14923	SZ8040 63 x 254
			305	194.0	51.9	10059	76.3	14793	SZ8040 63 x 305

Nitrogen systems

Tapping units

Module system

Machine elements

Accessories