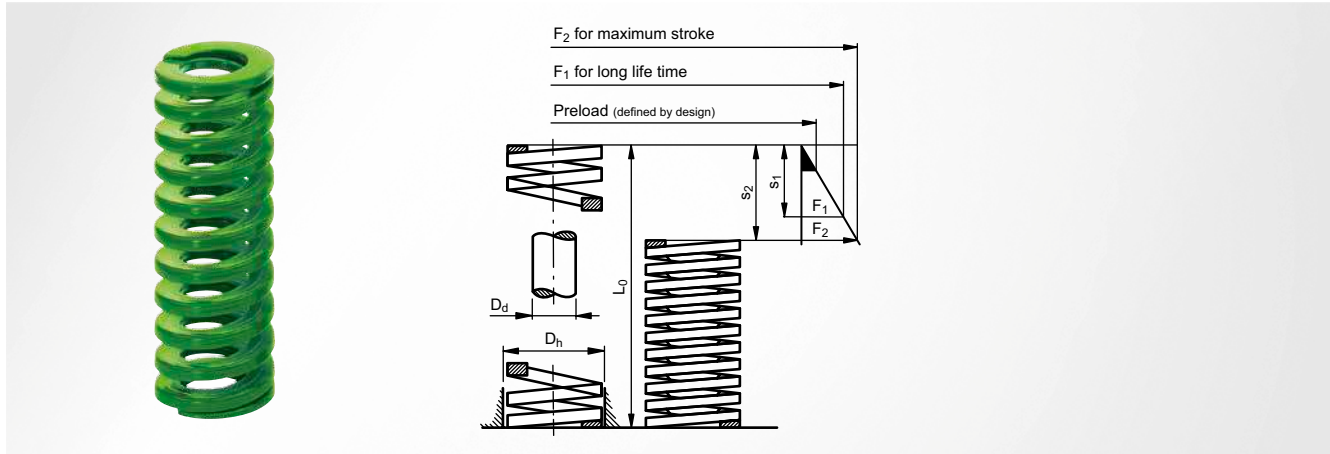


SZ8010 System spring

light load, identification colour green



ISO 10243

Material

Profiled valve spring steel wire (52SiCrNi5)

Spring type

Helical compression spring

Wire cross-section

rectangular

Note

Spring is set, closed and rectangular ground

Sleeve Ø D_h^{H15}	Pin Ø D_d^{h15}	Wire	L_0	Spring rate N/mm $c_{\pm 10\%}$	long life time		max. stroke		Item number
					$s_1^{30\%}$	F_1 N	$s_2^{40\%}$	F_2 N	
10.0	5.0	1.7 x 1.1	25	11.0	7.5	83	10.0	110	SZ8010 10 x 025
			32	8.5	9.6	82	12.8	109	SZ8010 10 x 032
			38	6.8	11.4	78	15.2	103	SZ8010 10 x 038
			44	6.0	13.2	79	17.6	106	SZ8010 10 x 044
			51	5.0	15.3	77	20.4	102	SZ8010 10 x 051
			64	4.1	19.2	79	25.6	105	SZ8010 10 x 064
			76	3.6	22.8	82	30.4	109	SZ8010 10 x 076
			305	0.9	91.5	82	122.0	110	SZ8010 10 x 305
			12.5	6.3	2.3 x 1.5	25	21.0	7.5	158
32	16.4	9.6				157	12.8	210	SZ8010 13 x 032
38	13.6	11.4				155	15.2	207	SZ8010 13 x 038
44	12.1	13.2				160	17.6	213	SZ8010 13 x 044
51	10.3	15.3				158	20.4	210	SZ8010 13 x 051
64	7.6	19.2				146	25.6	195	SZ8010 13 x 064
76	6.3	22.8				144	30.4	192	SZ8010 13 x 076
89	5.4	26.7				144	35.6	192	SZ8010 13 x 089
305	1.6	91.5				146	122.0	195	SZ8010 13 x 305
16.0	8.0	3.2 x 1.7	25	29.0	7.5	218	10.0	290	SZ8010 16 x 025
			32	22.9	9.6	220	12.8	293	SZ8010 16 x 032
			38	19.3	11.4	220	15.2	293	SZ8010 16 x 038
			44	17.1	13.2	226	17.6	301	SZ8010 16 x 044
			51	14.0	15.3	214	20.4	286	SZ8010 16 x 051
			64	10.7	19.2	205	25.6	274	SZ8010 16 x 064
			76	9.0	22.8	205	30.4	274	SZ8010 16 x 076
			89	7.3	26.7	195	35.6	260	SZ8010 16 x 089
			305	2.3	91.5	210	122.0	281	SZ8010 16 x 305
20.0	10.0	4.0 x 2.1	25	55.8	7.5	419	10.0	558	SZ8010 20 x 025
			32	45.0	9.6	432	12.8	576	SZ8010 20 x 032
			38	36.0	11.4	410	15.2	547	SZ8010 20 x 038
			44	30.0	13.2	396	17.6	528	SZ8010 20 x 044
			51	24.5	15.3	375	20.4	500	SZ8010 20 x 051

light load, identification colour green

Sleeve Ø D _h H15	Pin Ø D _d h15	Wire	L ₀	Spring rate N/mm c ±10 %	long life time		max. stroke		Item number
					s ₁ ^{30 %}	F ₁ N	s ₂ ^{40 %}	F ₂ N	
20.0	10.0	4.0 x 2.1	64	19.2	19.2	369	25.6	492	SZ8010 20 x 064
			76	16.0	22.8	365	30.4	486	SZ8010 20 x 076
			89	14.0	26.7	374	35.6	498	SZ8010 20 x 089
			102	12.0	30.6	367	40.8	490	SZ8010 20 x 102
			115	10.9	34.5	376	46.0	501	SZ8010 20 x 115
			127	9.5	38.1	362	50.8	483	SZ8010 20 x 127
			139	8.4	41.7	350	55.6	467	SZ8010 20 x 139
			152	7.5	45.6	342	60.8	456	SZ8010 20 x 152
			305	4.0	91.5	366	122.0	488	SZ8010 20 x 305
			25.0	12.5	5.3 x 2.7	25	105.0	7.5	788
32	80.3	9.6				771	12.8	1028	SZ8010 25 x 032
38	62.0	11.4				707	15.2	942	SZ8010 25 x 038
44	52.9	13.2				698	17.6	931	SZ8010 25 x 044
51	44.0	15.3				673	20.4	898	SZ8010 25 x 051
64	35.2	19.2				676	25.6	901	SZ8010 25 x 064
76	28.0	22.8				638	30.4	851	SZ8010 25 x 076
89	24.0	26.7				641	35.6	854	SZ8010 25 x 089
102	21.1	30.6				646	40.8	861	SZ8010 25 x 102
115	18.7	34.5				645	46.0	860	SZ8010 25 x 115
127	16.7	38.1				636	50.8	848	SZ8010 25 x 127
139	15.3	41.7				638	55.6	851	SZ8010 25 x 139
152	14.0	45.6				638	60.8	851	SZ8010 25 x 152
178	12.5	53.4				668	71.2	890	SZ8010 25 x 178
203	10.4	60.9				633	81.2	844	SZ8010 25 x 203
305	7.0	91.5				641	122.0	854	SZ8010 25 x 305
32.0	16.0	6.7 x 3.3				38	98.0	11.4	1117
			44	79.5	13.2	1049	17.6	1399	SZ8010 32 x 044
			51	67.0	15.3	1025	20.4	1367	SZ8010 32 x 051
			64	53.0	19.2	1018	25.6	1357	SZ8010 32 x 064
			76	44.0	22.8	1003	30.4	1338	SZ8010 32 x 076
			89	37.2	26.7	993	35.6	1324	SZ8010 32 x 089
			102	32.0	30.6	979	40.8	1306	SZ8010 32 x 102
			115	29.0	34.5	1001	46.0	1334	SZ8010 32 x 115
			127	25.0	38.1	953	50.8	1270	SZ8010 32 x 127
			139	23.0	41.7	959	55.6	1279	SZ8010 32 x 139
			152	21.5	45.6	980	60.8	1307	SZ8010 32 x 152
			178	18.2	53.4	972	71.2	1296	SZ8010 32 x 178
			203	15.8	60.9	962	81.2	1283	SZ8010 32 x 203
			254	12.5	76.2	953	101.6	1275	SZ8010 32 x 254
			305	10.3	91.5	942	122.0	1257	SZ8010 32 x 305
40.0	20.0	8.0 x 4.0	51	92.0	15.3	1408	20.4	1877	SZ8010 40 x 051
			64	73.0	19.2	1402	25.6	1869	SZ8010 40 x 064
			76	63.0	22.8	1436	30.4	1915	SZ8010 40 x 076
			89	51.0	26.7	1362	35.6	1816	SZ8010 40 x 089
			102	44.5	30.6	1362	40.8	1816	SZ8010 40 x 102
			115	39.6	34.5	1366	46.0	1822	SZ8010 40 x 115
			127	36.0	38.1	1372	50.8	1829	SZ8010 40 x 127
			139	32.0	41.7	1334	55.6	1779	SZ8010 40 x 139
			152	28.0	45.6	1277	60.8	1702	SZ8010 40 x 152
			178	25.2	53.4	1346	71.2	1794	SZ8010 40 x 178
			203	21.8	60.9	1328	81.2	1770	SZ8010 40 x 203
			254	17.0	76.2	1295	101.6	1734	SZ8010 40 x 254
			305	14.8	91.5	1354	122.0	1806	SZ8010 40 x 305
50.0	25.0	11.1 x 5.5	64	156.0	19.2	2995	25.6	3994	SZ8010 50 x 064
			76	125.0	22.8	2850	30.4	3800	SZ8010 50 x 076
			89	109.0	26.7	2910	35.6	3880	SZ8010 50 x 089
			102	94.0	30.6	2876	40.8	3835	SZ8010 50 x 102
			115	81.0	34.5	2795	46.0	3726	SZ8010 50 x 115
			127	71.0	38.1	2705	50.8	3607	SZ8010 50 x 127

SZ8010 System spring

light load, identification colour green

Sleeve Ø D_h^{H15}	Pin Ø D_d^{h15}	Wire	L_0	Spring rate N/mm $c \pm 10\%$	long life time		max. stroke		Item number
					$s_1^{30\%}$	F_1 N	$s_2^{40\%}$	F_2 N	
50.0	25.0	11.1 x 5.5	139	66.5	41.7	2773	55.6	3697	SZ8010 50 x 139
			152	60.0	45.6	2736	60.8	3648	SZ8010 50 x 152
			178	52.0	53.4	2777	71.2	3702	SZ8010 50 x 178
			203	44.0	60.9	2680	81.2	3573	SZ8010 50 x 203
			229	38.2	68.7	2624	91.6	3499	SZ8010 50 x 229
			254	35.0	76.2	2667	101.6	3570	SZ8010 50 x 254
			305	28.5	91.5	2608	122.0	3477	SZ8010 50 x 305
63.0	38.0	11.6 x 7.7	76	189.0	22.8	4309	30.4	5746	SZ8010 63 x 076
			89	158.0	26.7	4219	35.6	5625	SZ8010 63 x 089
			102	131.0	30.6	4009	40.8	5345	SZ8010 63 x 102
			115	116.0	34.5	4002	46.0	5336	SZ8010 63 x 115
			127	103.0	38.1	3924	50.8	5232	SZ8010 63 x 127
			152	84.3	45.6	3844	60.8	5125	SZ8010 63 x 152
			178	71.5	53.4	3818	71.2	5091	SZ8010 63 x 178
			203	61.7	60.9	3758	81.2	5010	SZ8010 63 x 203
			254	47.0	76.2	3581	101.6	4775	SZ8010 63 x 254
			305	38.2	91.5	3495	122.0	4660	SZ8010 63 x 305